

# BF Series

Single Bag Housings: #1, #2, #3 and #4 sizes



- Designed for industrial and commercial filter applications
- Heavy duty construction for maximum durability
- 1/8" perforated stainless steel basket (optional perforations and mesh sizes available)
- #1 and #2 Size Housings:
  - Available in 316L Stainless Steel, 304L Stainless Steel or Carbon Steel construction for a wide range of chemical compatibility
  - Clamp or Swing Bolt closures
  - Stainless steel compression spring provides positive bag sealing
  - Adjustable stainless steel leg assembly
  - 1/4" FNPT gauge ports and 1/2" FNPT drain port
- #3 and #4 Size Housings:
  - 316 Stainless Steel construction
  - Clamp closure for easy bag change outs
  - Optional compression spring and adjustable mounting legs

## Applications

|                 |                          |
|-----------------|--------------------------|
| Water           | Chemicals                |
| Food & Beverage | Electronics              |
| Oil             | Inks / Paints / Coatings |
| Coolants        | Pulp & Paper             |

## Specifications & Operating Parameters

### Maximum Operating Pressure

150 psig (10.3 bar) @ 300°F (149°C)

### Connections

Inlet /Outlet:

2" FNPT (#1 and #2 Sizes)

3/4", 1" and 1 1/2" FNPT (#3 and #4 Sizes)

*Optional: RF Flanges or Sanitary Ferrules*

Drain Port: 1/2" FNPT (#1 and #2 Sizes)

Gauge Ports: 1/4" FNPT - clean and dirty sides (#1 and #2 sizes)

Vent Port: 1/4" NPT Plug

### Gaskets

Buna N

*Optional: EPR, Silicone, Teflon Encapsulated Silicone, Viton*

### Baskets

1/8" perforated stainless steel

*Options: various perforation and mesh sizes*

### Materials of Construction

Head / Shell:

#1 and #2 Sizes

316L Stainless Steel, 304L Stainless Steel, Carbon Steel

#3 and #4 Sizes

316L Stainless Steel

Eye Nuts: Zinc plated steel

Mounting Legs: 304L Stainless Steel

### Options

- Side Inlet / Side Outlet (#1 and #2 sizes)

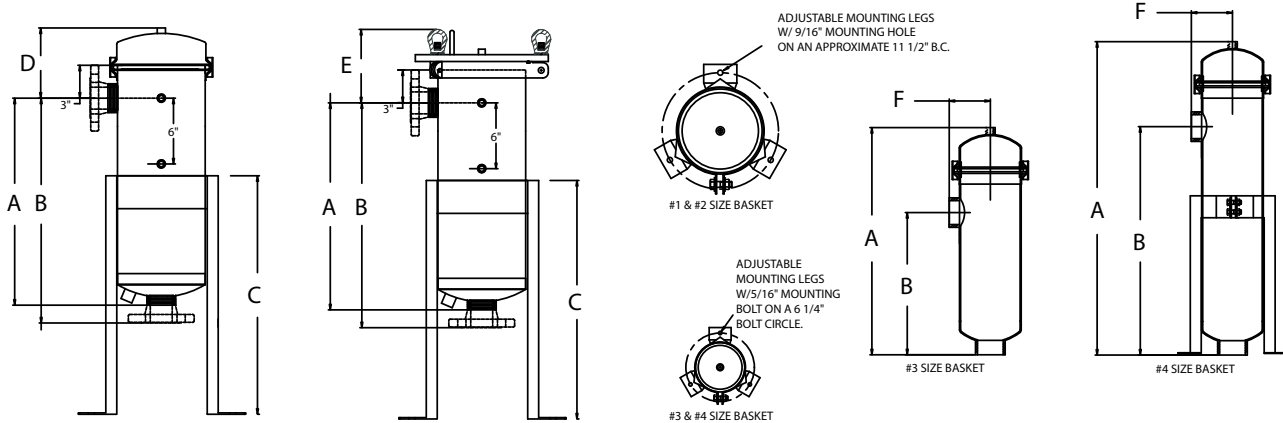
- 134 epoxy coating for seawater and corrosive applications

*See ordering guide for complete selection of options*

| MODEL AND BAG SIZE | CLOSURE             | MAX FLOW RATE* GPM (LPM) | DRAIN SIZE | DIMENSIONS         |                     |                   |             |                    |             |
|--------------------|---------------------|--------------------------|------------|--------------------|---------------------|-------------------|-------------|--------------------|-------------|
|                    |                     |                          |            | A                  | B                   | C                 | D           | E                  | F           |
| BFS-1 / BFC-1      | Clamp or Swing Bolt | 70 (265)                 | 1/2"       | 18 7/8" (47.9 cm)  | 20 1/2" (52.1 cm)   | 21 3/4" (55.2 cm) | 3" (7.6 cm) | 6 11/16" (17.0 cm) | 3" (7.6 cm) |
| BFS-2 / BFC-2      | Clamp or Swing Bolt | 150 (567)                | 1/2"       | 34 7/8" (88.6 cm)  | 22 3/4" (92.7 cm)   | 21 3/4" (55.2 cm) | 3" (7.6 cm) | 6 11/16" (17.0 cm) | 3" (7.6 cm) |
| BFS-3              | Clamp               | 25 (95)                  |            | 16 9/16" (42.1 cm) | 10 3/8" (26.4 cm)   |                   |             |                    |             |
| BFS-4              | Clamp               | 40 (151)                 |            | 22 7/8" (58.1 cm)  | 16 11/16" (42.4 cm) |                   |             |                    |             |

\*Flow rates are guidelines only. Actual flow rates are based upon fluid, viscosity, bag type, micron ratings and other factors

## Dimensions



## Ordering Guide (Example: BFS-2SB-2-316-B)

| BFS - 2                                     |          | SB - 2                       |   | - 316 -  |   | B   |  |
|---|----------|------------------------------|---|--|---|---|--|
| MODEL                                       | BAG SIZE | CLOSURE                      | PIPE SIZE   | MATERIAL   | CONNECTION ORIENTATION  | GASKET  |  |
| <b>#1 and #2 Sizes</b>                      |          |                              |   |  |   |   |  |
| BFS = Stainless Steel<br>BFC = Carbon Steel | 1<br>2   | C = Clamp<br>SB = Swing Bolt | 2 = 2" FNPT (standard)<br>2F = 2" RF Flange<br>3 = 3" FNPT<br>3F = 3" RF Flange<br>2TC = 2" Sanitary Ferrules | 304 = 304 SS<br>316 = 316 SS<br>134 = 134 Coating over 304 SS* | Blank = Side In / Bottom Out<br>2 = Side In / Side Out                                | B = Buna N (Standard)<br>E = EPR<br>S = Silicone<br>V = Viton |  |
| <b>#3 and #4 Sizes</b>                      |          |                              |   |  |   |   |  |
| BFS = Stainless Steel                       | 3<br>4   | C = Clamp                    | 75 = 3/4" FNPT<br>1 = 1" RF Flange<br>1.5 = 1 1/2" FNPT (standard)  | 316 = 316 SS   | Blank = Side In / Bottom Out<br>2 = Side In / Side Out (Hold Down Spring Recommended) | B = Buna N (Standard)<br>E = EPR<br>S = Silicone<br>V = Viton |  |

\* Note: 134 Coating must have swing bolt closure and flanged connections.

## Customization

Housings may be customized to meet your precise requirements. Contact Shelco's technical support staff or your distributor for more information.

Myynti:  
 Aquator Oy  
 info@aquator.fi www.aquator.fi  
 puh. 044 788 1620  
 puh. 044 388 1620

**AQUATOR**  
 process filters